

**Article number** 4610104  
**Article designation** Edge protector

This edge protector is made of PVC and has a steel insert. Because of the high bending radius of this finishing profile, it is easy to bend around corners. The profile is easy to fasten and protects from sharp edges. It is temperature resistant from -40°C up to +90°C.

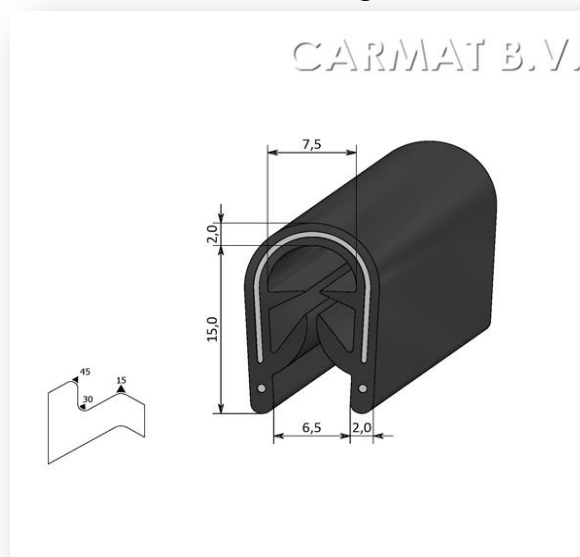
## General information

Assembly profile PVC quality 911V5 ALD  
Assembly insert Steel 1.0347  
Clamping range 4-6 mm  
Colour black

## Directives

Reach Compliant  
RoHS - RL 2002/95/EG (EC) Compliant  
Altauto - RL 2000/53/EG (EC) Compliant

## Product image



CARMAT B.V.  
Campagneweg 15  
4761 RM Zevenbergen  
+31-168331100